



■ 92/06/12

寶虹電子股份有限公司

Power-Con Electronics Corp.

<http://www.power-con.com.tw/>

TEL : 886-3-427-5854 FAX : 886-3-427-5898

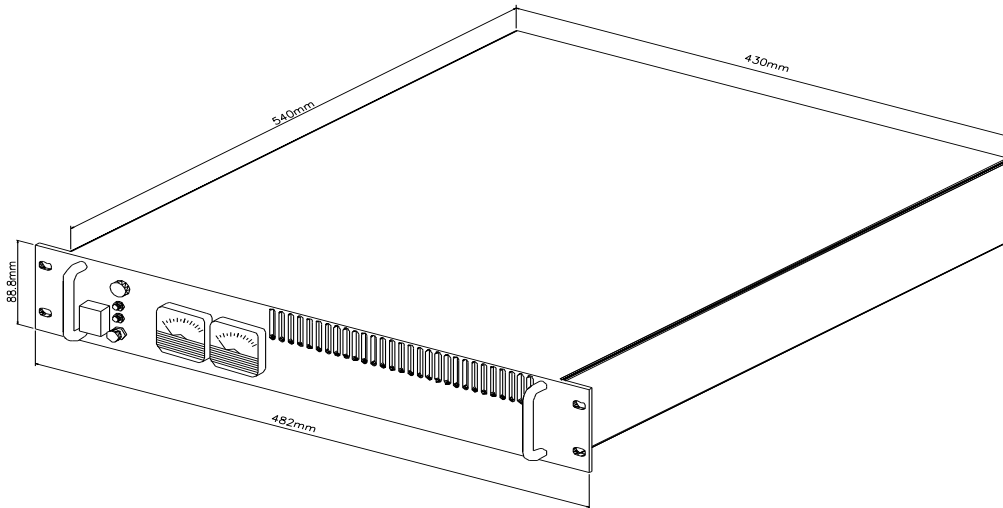
NSN :

MODEL NO.: PC-XX16B

DC Power Supply

DRAWING:

W x D x H = 482mm x 540mm x 88.8mm



Special Features :

- * DC power supply should be switching and modularized type.
- * Input Circuit Breaker and Fuses Provided.
- * LED Display for output to indicate output normal.
- * DC Power Module can be disabled by TTL fault report (Low Enable, High Disable) from load with photo coupling.
- * Cooling Fan provided.
- * Input/ Output Isolation.
- * Low Profile.
- * Low Ripple & Noise.
- * EMI: Meet FCC Level "A" .
- * Current Limited , Over Voltage Protection.
- * Input Transient Surge Protection , Phase Lose Indication.
- * All PCBs Coating.
- * MTBF : >200,000 hours.
- * Industrial round connectors with latch for input and output.

MODEL NO.: PC-XX16B

Electrical Specifications:

Input	110VAC $\pm 10\%$ (rms) , 1 PHASE , 60 ± 5 Hz.			
Output Power	O/P Voltage	O/P Power	Vnom	Ripple & Noise
	+29.0VDC $\pm 1\%$	2000W	28V	120mV _{PP}
Line Regulation	$\pm 0.5\%$ max. At Full Load and Low Line Input or High Line Input.			
Load Regulation	$\pm 0.5\%$ max. At Nominal Line Input from 10% Load to 100%Load.			
Output Protection	O/P Voltage	OVP set point	Short & current limit	
	+29.0VDC	32.7V $\pm 5\%$	92A $\pm 10\%$	
AC Fault Protection	Over Voltage	With Indication and Reset Switch.		
	Transient Surge	Short Circuit, Current Limit ,Over Voltage.		
	Phase Lose			
Inrush Current	Maximum 100A			
EMI	Meet FCC Level "A" (EMI Test Report Provided Only).			
Safety	UL, CSA, VDE, TÜV (No Compliance Approvals Provided).			
Efficiency	$> 75\%$			
Enable/Disable	TTL level (photo-coupler isolated) for output.			
Operation Temperature	-10°C ~ +50°C Ambient			
Storage Temperature	- 40°C ~ +85°C			
Temperature Coefficient	0.02 %/°C max.			
Isolation	Leakage Current : $\leq 1\text{mA}$ @Test Voltage=500Vdc; Test Time=2 sec. for I/P to O/P.			
Insulation Resistance	$\geq 10\text{M}\Omega$ @Test Voltage= 100Vdc test for I/P to O/P; I/P to Chassis; O/P to Chassis.			
Cooling	Force Air Cooling by Fans for each power module.			
Size	482mm(W) * 540mm(D) * 88.8mm(H) (max.)			
Mechanical	See Attached Drawing: (1) 19" Standard Rack. (2) Power Supply: *One input and one output industrial round connectors with latch on rear panel. *Six cooling fans on rear panel. *Green LED display for output normal operating on front panel.			
Case Material	AL5052-H32, t=2mm +/-5%.			

