



**寶虹電子股份有限公司**  
Power-Con Electronics Corp.

■ 92/06/12

<http://www.power-con.com.tw/>

TEL : 886-3-427-5854 FAX : 886-3-427-5898

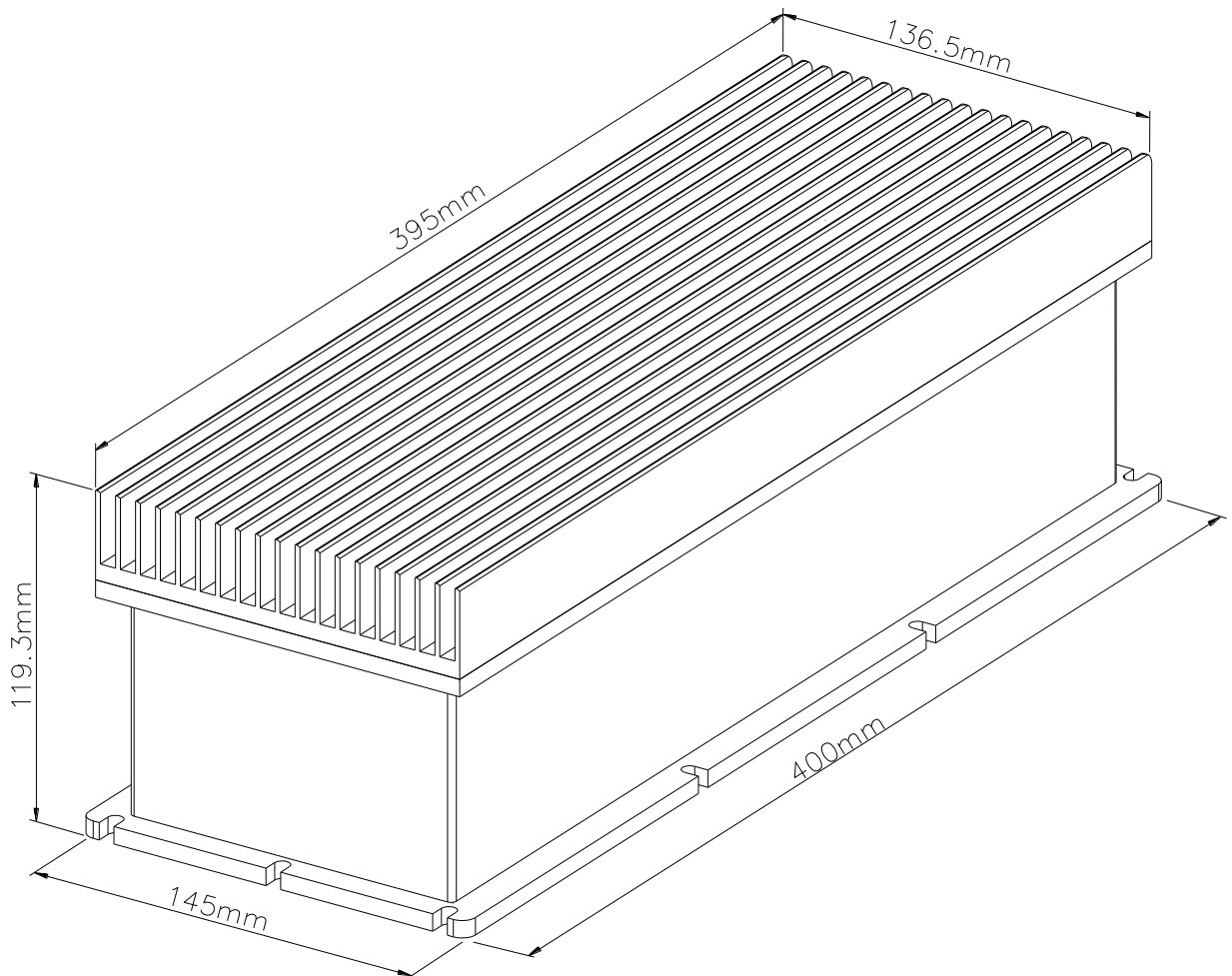
軍品名稱: 電源模組 (DC TO DC SWITCHING POWER MODULE)  
(32V/760W or 50V/1160W; 30V or 24V or 28V/1160W)

軍品料號 (NSN) \_\_\_\_\_; \_\_\_\_\_

**MODEL NO.: PC-XX30-1; PC-XX30-2**

**DRAWING for each Power Module:**

**L x W x H ≤ 400mm x 145mm x 119.3mm**



## **Special Features :**

- \* Input/ Output isolation.
- \* Low profile.
- \* "D-type" I/O Connectors Version Available.
- \* MIL-STD-461/462 Compliant.
- \* Current Limited , Over Voltage Protection , Input Transient Surge Protection.
- \* Output voltage & current monitor.
- \* All PCBs coating.
- \* MTBF :  $\geq 200,000$  hours.
- \* Water-tight Design (水密設計).
- \* 符合 MIL-STD-810 環境測試規格(如附表).
- \* 機構表面處理:陽極處理

**MODEL NO. : PC-XX30-1; PC-XX30-2**

**Electrical Specification:**

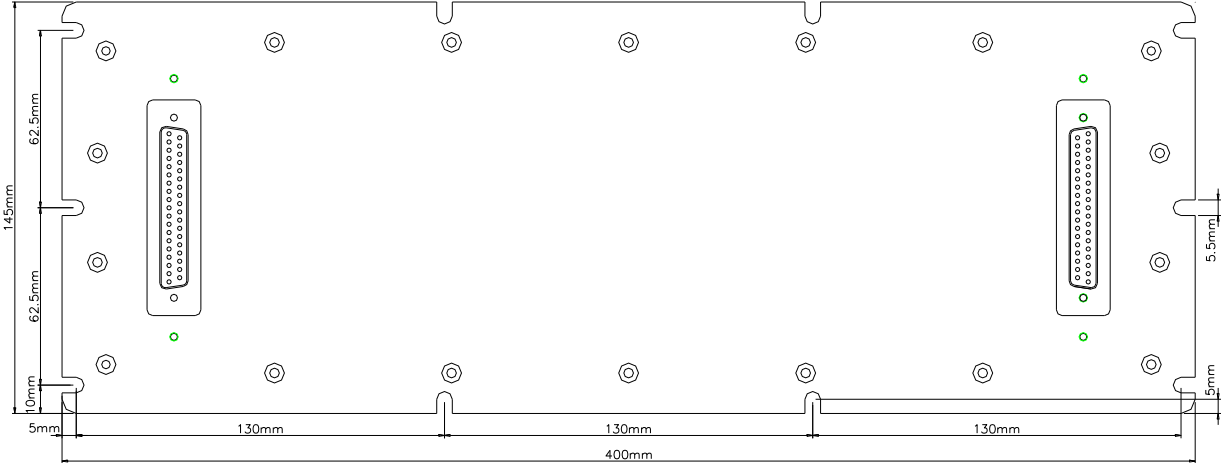
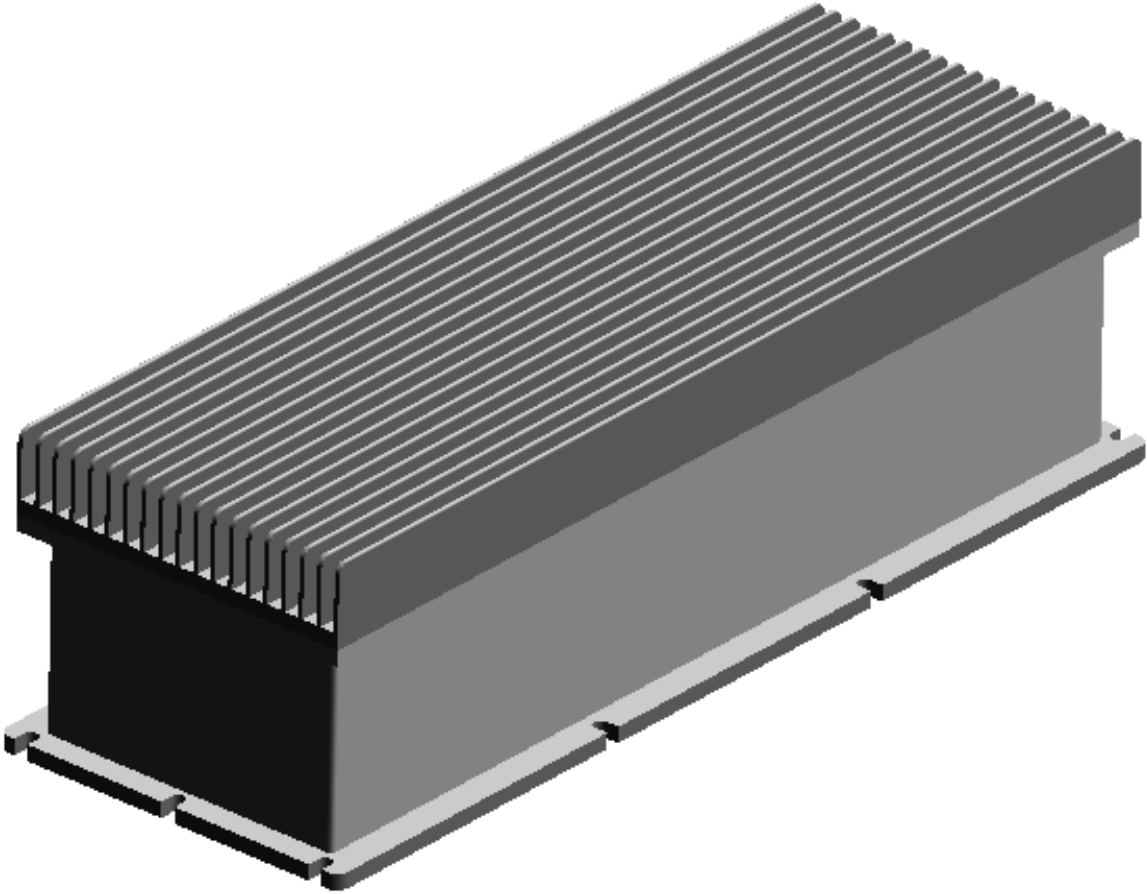
Input	300VDC ( +20%-15% )				
Output Voltage & Power	Model No.	O/P Voltage	Max Power	Rate Power	Peak Power
	PC-XX30-1* <sup>1</sup>	+32VDC±1%	760W	450W	
		+50VDC±1%	1160W	550W	950W/60SEC
	PC-XX30-2* <sup>2</sup>	+30VDC±1%	1160W	600W	900W/60SEC
		+24VDC±1%	1160W	720W	900W/60SEC
		+28VDC±1%	1160W	120W	
	*1:Default O/P Voltage +32VDC ; photo-coupler programmable to +50VDC.				
*2:Connector Jumper adjustment for +30VDC ,+24VDC , +28VDC output respectively.					
Output Ripple & Noise	Model No.	O/P Voltage	Ripple & Noise	Module Size	
	PC-XX30-1	+32VDC	200mVp-p max	≤ 400 x 145 x 119.3mm ( L*W*H )	
		+50VDC	200mVp-p max		
	PC-XX30-2	+30VDC	200mVp-p max	≤ 400 x 145 x 119.3mm ( L*W*H )	
		+24VDC	200mVp-p max		
+28VDC		200mVp-p max			
Protection	Output Short Circuit	105 % ~ 130% of I out (26.2A to 32.5A for PC-CS30-1; 45A to 55.7A for PC-CS30-2)			
	Output Over Current	105 % ~ 130% of I out (26.2A to 32.5A for PC-CS30-1; 45A to 55.7A for PC-CS30-2)			
	Output Over Voltage	110 ~ 125 % of V out (52.8 to 60Vdc for PC-CS30-1; 30.8 to 35Vdc for PC-CS30-2)			
	Input Surge Voltage	Input transient surge withstanding : 3KV , 1x40us.			
Remote Control O/P Turn On Time	PC-XX30-1	+32VDC	≤ 100mS		
		+50VDC			
	PC-XX30-2	+30VDC	≤ 100mS		
		+24VDC			
		+28VDC			
DC I/P OK	TTL "HIGH" ; photo-coupler isolated.				
Enable/ Disable Control	Default disable; TTL "HIGH 2.5V~5V"(photo-coupler isolated) or connector jumper (POWER OK) "SHORT" to enable.				

Minimum Load	A minimum load of 10% of Max Power may be required for each power module.
Line Regulation	± 0.2 % MAX
Load Regulation	± 0.2 % MAX
Output Current Monitor	A current transducer differential output voltage 2.5V~3V represents each module O/P current 0 to 50A.
Output Voltage Monitor	Differential output voltage 0V ~ 5.0V represents each module O/P voltage from 0 to +50VDC for PC-CS30-1; from 0 to +30VDC for PC-CS30-2.
Efficiency	≥ 80 % at nominal input ; full load ; 25°C.
Operation Temperature	-10°C ~ +60°C Ambient.
Storage Temperature	- 10°C ~ +60°C
Temperature Coefficient	0.02 %/°C MAX
Isolation Test	≥ 500Vdc , 10mA , 2 Sec for I/P to O/P ; I/P to chassis ; O/P to chassis.
Insulation Resistance	≥ 10MΩ @ Test Voltage = 100Vdc for I/P to O/P ; I/P to chassis ; O/P to chassis.
MTBF	≥ 200,000 hours
Safety Approvals	UL, CSA, TUV
EMI/EMC	Meet MIL-STD-461C PART 4; CE03, RE02, RS03 with an AC-DC Power Source.
Mechanical	Water-tight Design(水密設計);機構表面陽極處理.
Size	≤ 400 mm ( L ) x 145 mm ( W ) x 119.3 mm ( H )
Weight	≤ 8 Kg

環境測試規格(MIL-STD-810 Environmental specification):

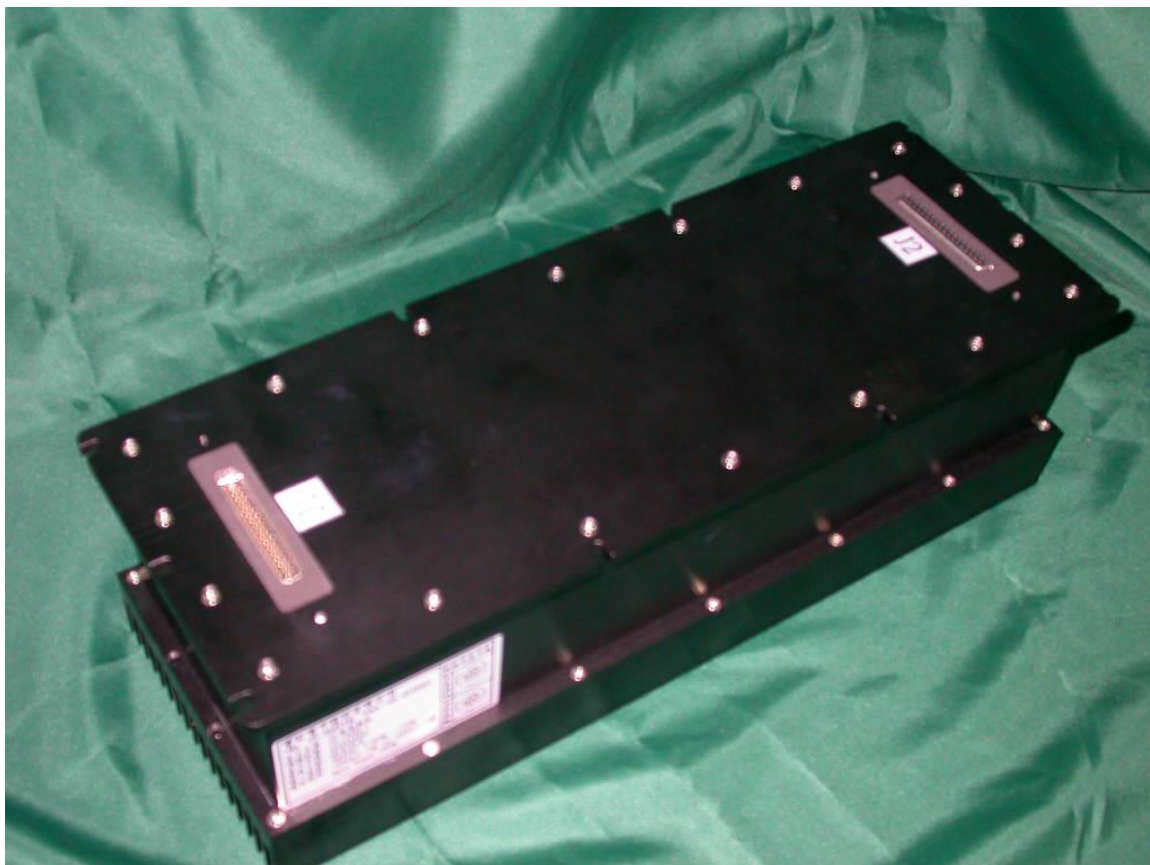
<u>環境項目</u>	<u>環境規格</u>
溫度	<u>儲存溫度:-10~+60°C</u> <u>操作溫度: -10~+60°C</u> <u>(24VDC/720W;30VDC/600W;28VDC/</u> <u>120W; 50VDC/550W;32VDC/450W)</u>
雨淋	<u>102mm/hr</u>
濕度	<u>&gt;95%RH</u>
鹽霧	<u>35°C,5%鹽霧濃度</u>
車輛運輸震動 (輪型車)	<u>垂向:1.42Grms,5~500Hz</u> <u>橫向:1.08Grms,5~500Hz</u> <u>縱向:1.08Grms,5~500Hz</u>
船舶運輸	<u>三軸向:0.22Grms,1~50Hz</u>
衝擊	<u>20G, 11ms,後緣鋸齒波</u>

附件 1. 立體圖；定位孔圖

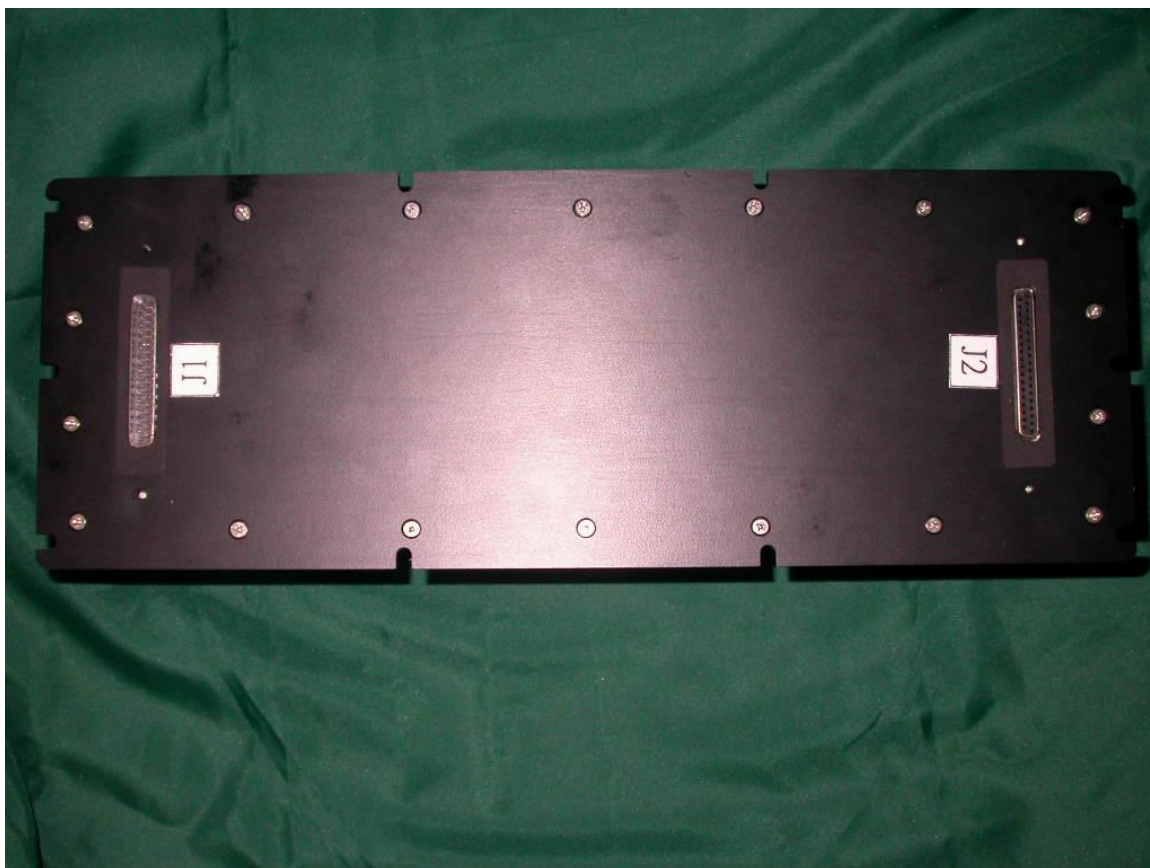


附件 2:

外觀照片



正視照片



側視照片



底視照片

