

Military Power Supply Feature Design Gallery

Features

- 220Vac or 120/208Vac, 3 ϕ , 3W+G or Vdc Input
- High Temperature and Humidity Environment
- Protection: SCP/OVP/OC/OTP
- Voltage Sense Line
- High Reliability: MTBF 100,000 hours min.

Main Applications

- Phased Array Radar System
- Missile Launching System
- Airborne Missile System
- Shipboard Communication System
- Unmanned Aircraft System (UAS)
- Electronic Warfare (EW)
- Power Bank for Ground System




Compliance

- Environmental per MIL-STD-810G.
- EMC per MIL-STD-461G
(CE101, CE102, RE101, RE102, CS101, CS114, CS115, CS116, CS118, RS101, RS103).
- Input per MIL-STD-704F & MIL-STD-1275D.

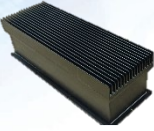

Quality Systems






AC-DC Power Supply for Phase Array Radar System

Model No.	Photo	Input Voltage	Output Voltage/Current	Output Power(W)	Dimension L*W*H (mm)
PC-MG07		120Vac 1 Phase	5V/2.5~25A 75V/0.05~0.5A (N+1 Redundancy)	162.5W	407.45*125*125
PC-MG06		120/208Vac 3 Phase	50Vdc/14A (N+1 Redundancy)	700W	279.4*203.2*127
PC-MG05		120/208Vac 3 Phase	5Vdc/220A (N+1 Redundancy)	1100W	335*203*127



AC-DC Power Supply for Missile Launcher

Model No.	Photo	Input Voltage	Output Voltage/Current	Output Power(W)	Dimension L*W*H (mm)
PC-MG37		190~250Vac 1 Phase	24Vdc/30A ; 28Vdc/10A	1000W	400*145*119.3
PC-MG48		AC 208V ±10% 1 Phase	28Vdc/30Vdc/32Vdc/34Vdc (Selectable by Jumper Adjustment)	1200W	420*136.5*110


AC-DC Power Distribution System for Missile Launcher

Model No.	Photo	Input Voltage	Output Voltage/Current	Output Power(W)	Dimension L*W*H (mm)
PC-MG43		220Vac 3 Phase	300Vdc/50A	15000W	420*300*230
PC-MG18-C		220Vac/3 Phase 120 Vac/1 Phase (Triple Input)	300Vdc/50A ; 24Vdc/25A	15000W	640*482*266
PC-MG18-D		220Vac 3 Phase (Dual Input)	300Vdc/60A ; 28Vdc/35.7A	18000W	550*482*266








AC-DC Power Supply for Shipboard Electronic Warfare System

Model No.	Photo	Input Voltage	Output Voltage/Current	Output Power(W)	Dimension L*W*H (mm)
PC-MG01-1A		90~132Vac ; 180~264Vac 1 Phase	15Vdc/26.7A ; -15Vdc/26.7A ; 5Vdc/10A	851W	412*482*142
PC-MG01-1B		90~132Vac ; 180~264Vac 1 Phase	15Vdc/26.7A ; -15Vdc/26.7A ; 5Vdc/10A	851W	412*482*142



AC-DC Power Supply for Radar System

Model No.	Photo	Input Voltage	Output Voltage/Current	Output Power(W)	Dimension L*W*H (mm)
PC-MG13		208Vac 3 Phase, 47~440Hz	42Vdc/4.16A*16 ; 24Vdc/12.5A 12Vdc/12.5A*2 ; -12Vdc/6.25A 5Vdc/20A ; -5Vdc/10A	3620.5W	466*466*466



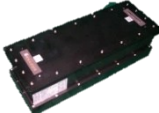
AC-DC Power Supply for Communication System

Model No.	Photo	Input Voltage	Output Voltage/Current	Output Power(W)	Dimension L*W*H (mm)
PC-MSDK50-2801		110~264Vac	28Vdc/53.6A	1500W	595*483*88
PC-DEDK50-2802		115~230Vac	28Vdc/53.6A	1500W	300*250*150
PC-MG16		110Vac 1 Phase	28Vdc/20A ; 25.5Vdc/15A ; 13.6Vdc/30A*2	1758W	482*540*80
PC-MG16-A		110Vac 1 Phase	30Vdc/40A	1200W	535*483*60
PC-MG16-B		110Vac 1 Phase	29Vdc/69A	2000W	482*540*89
PC-MG28		180~264Vac 3 Phase	28Vdc/52A 13.5Vdc/90A (1+1 Loading Sharing Hot Swappable)	2671W	500*482*266
PC-MG28-A		180~264Vac 3 Phase	28Vdc/52A 13.5Vdc/90A (3+1 Loading Sharing Hot Swappable)	2671W	500*482*266


AC-DC Power Bank for Ground System (LiFePO4 Battery Inside)

Model No.	Photo	Input Voltage	Output Voltage	Output capacity	Dimension L*W*H (mm)
PC-MG49		90~264Vac	24~30Vdc (Six Outputs)	30Ah max	400*380*266
PC-MG45		90~264Vac	24~28Vdc	100Ah max	400*350*220




DC-DC Power Supply for Missile Launcher (Isolated)

Model No.	Photo	Input Voltage	Output Voltage/Current	Output Power(W)	Dimension L*W*H (mm)
PC-MG30-4		240~360Vdc	24Vdc/41.7A ; or 28Vdc/35.7A ; or 30Vdc/33.3A ; or 32Vdc/31.3A	1000W	400*145*106
PC-MG30-1		300Vdc	32Vdc/23A or 50Vdc/23A	1160W	400*145*120
PC-MG30-2		300Vdc	30Vdc/38A or 24Vdc/48A or 28Vdc/41A	1160W	400*145*120


DC-DC Power Supply for Anti-Missile Radar System (Isolated)

Model No.	Photo	Input Voltage	Output Voltage/Current	Output Power(W)	Dimension L*W*H (mm)
PC-MVM95-127K		18~33Vdc	12V/5.0A ; 3.3V/0.2A ; 12V/0.05A ; 5.5V/4A ; 3.3V ; 3A ; -5V/0.05A ; 3.3V/0.2A	95W	135*135*13


DC-DC Power Supply for Unmanned Aircraft System (Isolated)

Model No.	Photo	Input Voltage	Output Voltage/Current	Output Power(W)	Dimension L*W*H (mm)
PC-MG40-2		24 ~ 32Vdc	5V/6A ; 18V/0.5A ; 12V/0.5A ; 28V/3A ; 28V/2A ; 28V/2A ; 12V/2A ; 5V/1A	270W	207*90*40
PC-MG40-1		24~32Vdc	5V/6A ; 28V/3A ; 12V/2A ; 18V/0.5A ; 28V/2A ; 5V/1A ; 12V/0.5A ; 28V/2A	270W	150*90*40
PC-MG9612		26 ~ 30Vdc	+5V ; +15V ; +28V -15V ; -28V	183.7W	195*105*38


DC-DC Power Supply for Military Computer

Model No.	Photo	Input Voltage	Output Voltage/Current	Output Power(W)	Dimension L*W*H (mm)
PC-MG9717		21 ~ 32Vdc	5V/15A 12V/4A 3.3V/15A -12V/15A	220.5W	233.5*167*30

DC-DC Power Supply for Airborne Missile System (Isolated)

Model No.	Photo	Input Voltage	Output Voltage/Current	Output Power(W)	Dimension L*W*H (mm)
PC-MG42-1		Dual Input Power 17~39Vdc	28Vdc/2A ; 28Vdc/2A ; 15Vdc/1A ; -15Vdc/1A ; 12Vdc/3.1A ; 12Vdc/3.1A ; 5Vdc/3A ; 28Vdc/0.4A	243W	Outline Diameter 190, High 43

DC-DC Power Supply for Communication System (Isolated)

Model No.	Photo	Input Voltage	Output Voltage/Current	Output Power(W)	Dimension L*W*H (mm)
PC-MG27		18~36Vdc	28Vdc/67.85A ; -28Vdc/14.2A	2300W	483*300*430