

Military Power Supply Feature Design Gallery

Features

- | 220Vac or 120/208Vac, 3 ϕ , 3W+G or Vdc Input
- | High Temperature and Humidity Environment
- | Protection: SCP/OVP/OC/OTP
- | Voltage Sense Line
- | High Reliability: MTBF 100,000 hours min.

Main Applications

- | Phased Array Radar System
- | Missile Launching System
- | Airborne Missile System
- | Shipboard Communication System
- | Unmanned Aircraft System (UAS)
- | Electronic Warfare (EW)
- | Power Bank for Ground System




Compliance

- | Environmental per MIL-STD-810G.
- | EMC per MIL-STD-461G
(CE101, CE102, RE101, RE102, CS101, CS114,
CS115, CS116, CS118, RS101, RS103).
- | Input per MIL-STD-704F & MIL-STD-1275D.

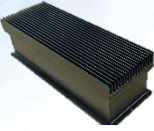

Quality Systems






AC-DC Power Supply for Phase Array Radar System

| Model No. | Photo | Input Voltage | Output Voltage/Current | Output Power(W) | Dimension L*W*H (mm) |
|-------------------------|---|-----------------------|---|-----------------|----------------------|
| PC-MG07 |  | 120Vac 1 Phase | 5V/2.5~25A 75V/0.05~0.5A (N+1 Redundancy) | 162.5W | 407.45*125*125 |
| PC-MG06 |  | 120/208Vac 3 Phase | 50Vdc/14A (N+1 Redundancy) | 700W | 279.4*203.2*127 |
| PC-MG05 |  | 120/208Vac 3 Phase | 5Vdc/220A (N+1 Redundancy) | 1100W | 335*203*127 |

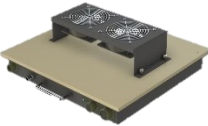

AC-DC Power Supply for Missile Launcher

| Model No. | Photo | Input Voltage | Output Voltage/Current | Output Power(W) | Dimension L*W*H (mm) |
|-------------------------|---|-------------------------|--|-----------------|----------------------|
| PC-MG37 |  | 190~250Vac 1 Phase | 24Vdc/30A ; 28Vdc/10A | 1000W | 400*145*119.3 |
| PC-MG48 |  | AC 208V ±10% 1 Phase | 28Vdc/30Vdc/32Vdc/34Vdc (Selectable by Jumper Adjustment) | 1200W | 420*136.5*110 |


AC-DC Power Distribution System for Missile Launcher

| Model No. | Photo | Input Voltage | Output Voltage/Current | Output Power(W) | Dimension L*W*H (mm) |
|---------------------------|---|---|-----------------------------|-----------------|----------------------|
| PC-MG43 |  | 220Vac 3 Phase | 300Vdc/50A | 15000W | 420*300*230 |
| PC-MG18-C |  | 220Vac/3 Phase 120 Vac/1 Phase (Triple Input) | 300Vdc/50A ; 24Vdc/25A | 15000W | 640*482*266 |
| PC-MG18-D |  | 220Vac 3 Phase (Dual Input) | 300Vdc/60A ; 28Vdc/35.7A | 18000W | 550*482*266 |







AC-DC Power Supply for Shipboard Electronic Warfare System

| Model No. | Photo | Input Voltage | Output Voltage/Current | Output Power(W) | Dimension L*W*H (mm) |
|----------------------------|---|--------------------------------------|---|-----------------|----------------------|
| PC-MG01-1A |  | 90~132Vac ; 180~264Vac 1 Phase | 15Vdc/26.7A ; -15Vdc/26.7A ; 5Vdc/10A | 851W | 412*482*142 |
| PC-MG01-1B |  | 90~132Vac ; 180~264Vac 1 Phase | 15Vdc/26.7A ; -15Vdc/26.7A ; 5Vdc/10A | 851W | 412*482*142 |



AC-DC Power Supply for Radar System

| Model No. | Photo | Input Voltage | Output Voltage/Current | Output Power(W) | Dimension L*W*H (mm) |
|-------------------------|---|--------------------------------|--|-----------------|----------------------|
| PC-MG13 |  | 208Vac 3 Phase, 47~440Hz | 42Vdc/4.16A*16 ; 24Vdc/12.5A 12Vdc/12.5A*2 ; -12Vdc/6.25A 5Vdc/20A ; -5Vdc/10A | 3620.5W | 466*466*466 |


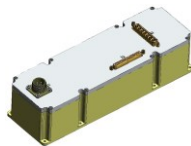
AC-DC Power Supply for Communication System

| Model No. | Photo | Input Voltage | Output Voltage/Current | Output Power(W) | Dimension L*W*H (mm) |
|--------------------------------|---|-----------------------|--|-----------------|----------------------|
| PC-MSDK50-2801 |  | 110~264Vac | 28Vdc/53.6A | 1500W | 595*483*88 |
| PC-DEDK50-2802 |  | 115~230Vac | 28Vdc/53.6A | 1500W | 300*250*150 |
| PC-MG16 |  | 110Vac 1 Phase | 28Vdc/20A ; 25.5Vdc/15A ; 13.6Vdc/30A*2 | 1758W | 482*540*80 |
| PC-MG16-A |  | 110Vac 1 Phase | 30Vdc/40A | 1200W | 535*483*60 |
| PC-MG16-B |  | 110Vac 1 Phase | 29Vdc/69A | 2000W | 482*540*89 |
| PC-MG28 |  | 180~264Vac 3 Phase | 28Vdc/52A 13.5Vdc/90A (1+1 Loading Sharing Hot Swappable) | 2671W | 500*482*266 |
| PC-MG28-A |  | 180~264Vac 3 Phase | 28Vdc/52A 13.5Vdc/90A (3+1 Loading Sharing Hot Swappable) | 2671W | 500*482*266 |



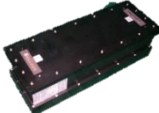
AC-DC Power Bank for Ground System (LiFePO4 Battery Inside)

| Model No. | Photo | Input Voltage | Output Voltage | Output capacity | Dimension L*W*H (mm) |
|-------------------------|---|---------------|---------------------------|-----------------|----------------------|
| PC-MG49 |  | 90~264Vac | 24~30Vdc (Six Outputs) | 30Ah max | 400*380*266 |
| PC-MG45 |  | 90~264Vac | 24~28Vdc | 100Ah max | 400*350*220 |




AC-DC Power Supply + Power Distribution Unit + LAN Control (PSPDU)

| Model No. | Photo | Input Voltage | Output Voltage | Output capacity | Dimension L*W*H (mm) |
|-------------------------------|---|--------------------------|---|---|----------------------|
| MSM-4K7-48-LC |  | 3-phase 220 Vrms | 48V/32A ; 48V/32A ; 48V/6.25A ; 28V/28.6A ; 28V/1.6A (Split by 14 Rails of eFuse Programmable Switch On/Off Control and Current Limit.) | 4217W (Peak 4679W @ 1min.) | 325*310*160 |
| MSM-1K0-28-LB |  | Single-Phase 220 Vrms | 28Vdc/ 35.7A | 1000W | 300*94.5*71 |




DC-DC Power Supply for Missile Launcher (Isolated)

| Model No. | Photo | Input Voltage | Output Voltage/Current | Output Power(W) | Dimension L*W*H (mm) |
|----------------------------------|---|---------------|---|-----------------|----------------------|
| <u>PC-MG30-4</u> |  | 240~360Vdc | 24Vdc/41.7A ; or 28Vdc/35.7A ; or 30Vdc/33.3A ; or 32Vdc/31.3A | 1000W | 400*145*106 |
| <u>PC-MG30-1</u> |  | 300Vdc | 32Vdc/23A or 50Vdc/23A | 1160W | 400*145*120 |
| <u>PC-MG30-2</u> |  | 300Vdc | 30Vdc/38A or 24Vdc/48A or 28Vdc/41A | 1160W | 400*145*120 |


DC-DC Power Supply for Anti-Missile Radar System (Isolated)

| Model No. | Photo | Input Voltage | Output Voltage/Current | Output Power(W) | Dimension L*W*H (mm) |
|---------------------------------------|---|---------------|---|-----------------|----------------------|
| <u>PC-MVM70-5P53</u> |  | 20~ 36 Vdc | 3.3V / 3A 5.5V / 10A -5.0V / 1A | 70W | 112*70*13 |
| <u>PC-MVM160-125K</u> |  | 18 ~ 33 Vdc | 15V/0.5A ; 12V/10A ; 5.5V/4A ; 3.3V/3A ; 3.3V/0.2A | 160W | 135*135*13 |
| <u>MVM-174-51-4H</u> |  | 48Vdc ± 15% | 51V/30A peak (3A AVG, 30μs, 10% duty) 5.5V/2.5A ; 3.8V/1.1A -5.0V/0.5A | 174W | 270*147*20 |


DC-DC Power Supply for Unmanned Aircraft System (Isolated)

| Model No. | Photo | Input Voltage | Output Voltage/Current | Output Power(W) | Dimension L*W*H (mm) |
|----------------------------------|---|---------------|--|-----------------|----------------------|
| <u>PC-MG40-2</u> |  | 24 ~ 32Vdc | 5V/6A ; 18V/0.5A ; 12V/0.5A ; 28V/3A ; 28V/2A ; 28V/2A ; 12V/2A ; 5V/1A | 270W | 207*90*40 |
| <u>PC-MG40-1</u> |  | 24~32Vdc | 5V/6A ; 28V/3A ; 12V/2A ; 18V/0.5A ; 28V/2A ; 5V/1A ; 12V/0.5A ; 28V/2A | 270W | 150*90*40 |
| <u>PC-MG9612</u> |  | 26 ~ 30Vdc | +5V ; +15V ; +28V -15V ; -28V | 183.7W | 195*105*38 |


DC-DC Power Supply for Military Computer

| Model No. | Photo | Input Voltage | Output Voltage/Current | Output Power(W) | Dimension L*W*H (mm) |
|---------------------------|---|---------------|--|-----------------|----------------------|
| PC-MG9717 |  | 21 ~ 32Vdc | 5V/15A 12V/4A 3.3V/15A -12V/15A | 220.5W | 233.5*167*30 |

DC-DC Power Supply for Airborne Missile System (Isolated)

| Model No. | Photo | Input Voltage | Output Voltage/Current | Output Power(W) | Dimension L*W*H (mm) |
|---------------------------|---|------------------------------|--|-----------------|----------------------------------|
| PC-MG42-1 |  | Dual Input Power 17~39Vdc | 28Vdc/2A ; 28Vdc/2A ; 15Vdc/1A ; -15Vdc/1A ; 12Vdc/3.1A ; 12Vdc/3.1A ; 5Vdc/3A ; 28Vdc/0.4A | 243W | Outline Diameter 190, High 43 |

DC-DC Power Supply for Communication System (Isolated)

| Model No. | Photo | Input Voltage | Output Voltage/Current | Output Power(W) | Dimension L*W*H (mm) |
|-------------------------|---|---------------|--------------------------------|-----------------|----------------------|
| PC-MG27 |  | 18~36Vdc | 28Vdc/67.85A ; -28Vdc/14.2A | 2300W | 483*300*430 |



<http://www.power-con.com.tw/>